

Communication converter COM-J/COM-E/COM-H

CC-LINK
Communication Converter
COM-JC

DeviceNet
Communication Converter
COM-JH, COM-H

PROFIBUS
Communication Converter
COM-JG

Ethernet
Communication Converter
COM-JL

PLC Communication
Protocol Converter
COM-JE, COM-E



COM-JC



COM-JH



COM-JG

COM-J □
CE cULus



COM-JL



COM-JE



COM-H



COM-E

COM-H
CE cULus

COM-E
CE cULus
(Optional)

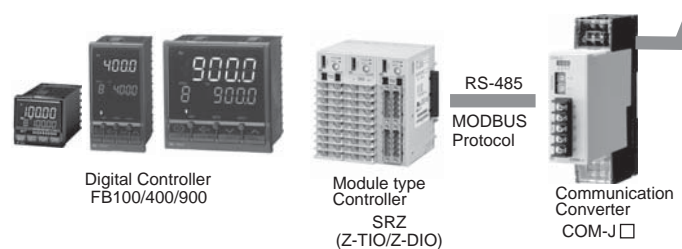
Typical Configuration

The controller can be connected to various Open Networks, such as PROFIBUS, DeviceNet, CC-Link, and Ethernet via a gateway.

● COM-J

Networks Type	Available Controller	Model
CC-LINK	FB100/400/900 SRZ (Z-TIO/Z-DIO)	COM-JC
DeviceNet		COM-JG
PROFIBUS		COM-JH
MODBUS-TCP		COM-JL

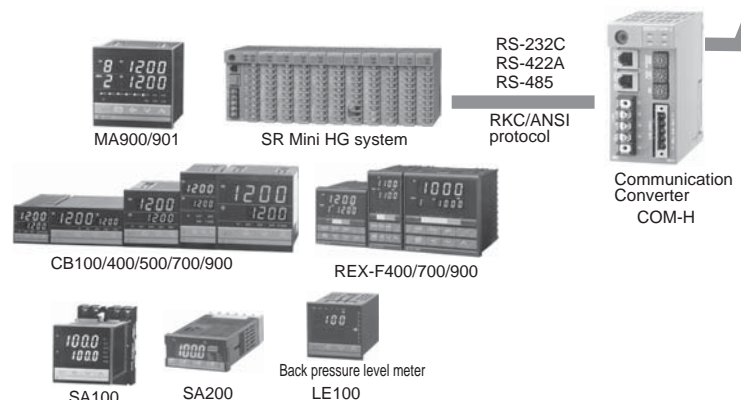
Open Networks (CC-Link, DeviceNet, PROFIBUS, MODBUS-TCP)



● COM-H

Networks Type	Available Controller	Model
DeviceNet	SR Mini/SR Mini HG CB100/400/500/700/900 F400/700/900 SA100,SA200, MA900/901,LE100	COM-H

DeviceNet



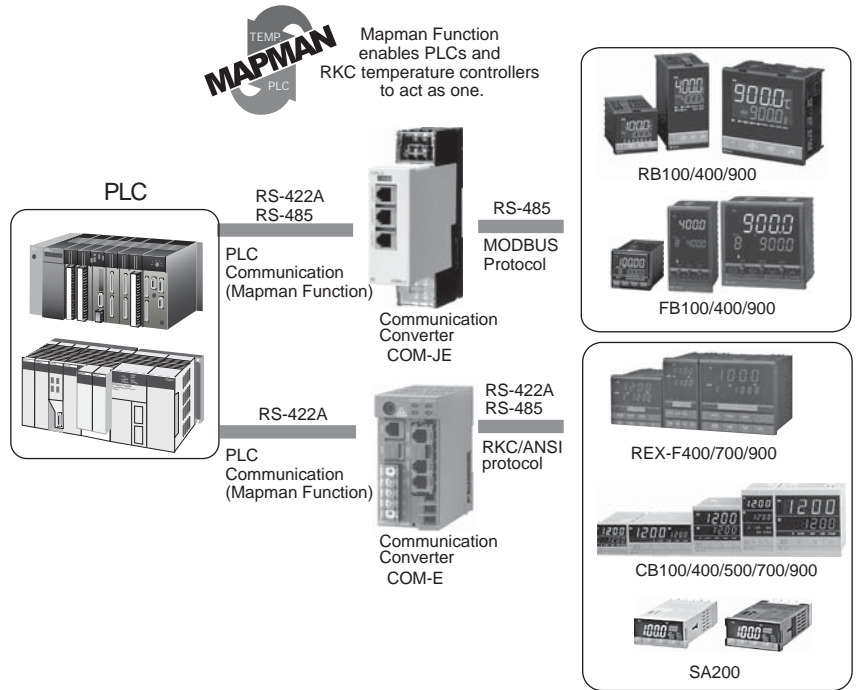
Max. 24 zones can be controlled by connected RKC products

Communication converter COM-J/COM-E/COM-H

Features

A communication protocol converter becomes a Master Unit to PLC, and automatically stores temperature data into registers in a PLC. This enables easy handling of temperature control system to the exiting PLC system is available.

Available PLC	Available Controller	Model
Mitsubishi MELSEC series Omron SYSMAC series	RB100/400/900 FB100/400/900	COM-JE
Mitsubishi MELSEC series Omron SYSMAC series Yokogawa FA-M3	REX-F400/700/900 CB100/400/500 700/900 SA200	COM-E





Specifications

● CC-LINK Communication Converter : COM-JC

CC-Link communication

Protocol : CC-Link Ver. 2.00/Ver. 1.10
 Communication speed : 156 kbps, 625 kbps, 2.5 Mbps, 5 Mbps, 10 Mbps
 Station number : 1 to 61 (4 stations occupied 1 time, 4 stations occupied 2 times, 4 stations occupied 4 times)
 • 4 stations occupied 4 times is available for only SRZ.
 1 to 64 (1 station occupied 1 time)

Controller communication

Interface : Based on RS-485, EIA standard
 Protocol : Modbus-RTU
 Communication speed : 9600 bps, 19200 bps, 38400 bps
 Data bit configuration : Data 8-bit, Without parity, Stop 1-bit
 Maximum connections : 31 units

General specifications

Power supply voltage : 21.6 to 26.4V DC [Rating : 24V DC]
 Power consumption : 120 mA max. (at 24 V DC)
 Rush current : 12 A or less
 Allowable ambient temperature : -10 to +50°C
 Allowable ambient humidity : 5 to 95 %RH (Non condensing)
 (Absolute humidity: MAX.W.C 29.3 g/m³ dry air at 101.3 kPa)
 Weight : Approx. 220 g

● DeviceNet Communication Converter : COM-JH

DeviceNet communication

Protocol : DeviceNet
 Connection method : Multi-drop connection, T-branch connection
 Terminating resistor (121Ω, 1/4 W) is necessary
 Communication speed : 125 kbps, 250 kbps, 500 kbps
 Error control : CRC error, Node address (MAC ID) duplication check
 Maximum number of connection nodes : 64 (including master)

Controller communication

Interface : Based on RS-485, EIA standard
 Protocol : Modbus-RTU
 Communication speed : 9600 bps, 19200 bps, 38400 bps
 Data bit configuration : Data 8-bit, Without parity, Stop 1-bit
 Maximum connections : 31 units

General specifications

Power supply voltage : 21.6 to 26.4V DC [Rating : 24V DC]
 Current consumption : 80 mA or less
 Allowable ambient temperature : -10 to +50°C
 Allowable ambient humidity : 5 to 95 %RH
 (Absolute humidity: MAX.W.C 29.3 g/m³ dry air at 101.3 kPa)
 Weight : Open-style connector type : Approx. 170 g
 Micro-style connector type : Approx. 200 g

● PROFIBUS Communication Converter : COM-JG

PROFIBUS communication

Interface : Based on RS-485, EIA standard
 Protocol : PROFIBUS-DP
 Communication speed : 9600 bps, 19200 bps, 93.75 kbps, 187.5 kbps, 500 kbps,
 1.5 Mbps, 12 Mbps
 Number of connection nodes : 1 to 126

Controller communication

Interface : Based on RS-485, EIA standard
 Protocol : Modbus-RTU
 Communication speed : 9600 bps, 19200 bps, 38400 bps
 Data bit configuration : Data 8-bit, Without parity, Stop 1-bit
 Maximum connections : 31 units

General specifications

Power supply voltage : 21.6 to 26.4V DC [Rating : 24V DC]
 Current consumption : 90 mA max. (at 24 V DC)
 Rush current : 12 A or less
 Allowable ambient temperature : -10 to +50°C
 Allowable ambient humidity : 5 to 95 %RH
 (Absolute humidity: MAX.W.C 29.3 g/m³ dry air at 101.3 kPa)
 Weight : Approx. 170 g

● Ethernet Communication Converter : COM-JL

Ethernet communication

Physical layer : Ethernet, 10BASE-T/100BASE-TX automatic recognition
 Application layer : Modbus/TCP
 Communication data : Based on Modbus message format
 Connector type : RJ-45

Controller communication

Interface : Based on RS-485, EIA standard
 Protocol : Modbus-RTU
 Communication speed : 9600 bps, 19200 bps, 38400 bps
 Data bit configuration : Data 8-bit, Without parity, Stop 1-bit
 Maximum connections : 31 units

General specifications

Power supply voltage : 21.6 to 26.4V DC [Rating : 24V DC]
 Current consumption : 110 mA max.
 Allowable ambient temperature : -10 to +50°C
 Allowable ambient humidity : 5 to 95 %RH
 (Absolute humidity: MAX.W.C 29.3 g/m³ dry air at 101.3 kPa)
 Weight : Approx. 180 g

● DeviceNet Communication Converter : COM-H

DeviceNet communication

Protocol : DeviceNet
 Connection method : Multi-drop connection, T-branch connection
 Terminating resistor (121Ω, 1/4 W) is necessary
 Communication speed : 125 kbps, 250 kbps, 500 kbps
 Error control : CRC error, Node address (MAC ID) duplication check
 Maximum number of connection nodes : 64 (including master)

Controller communication

Interface : Base on RS-422A or RS-232C, EIA standard
 • When uses the controller of RS-485, wires it with TA-RA and TB-RB with the RS-422A communication terminals of the controller.

Protocol : ANSI X3.28 subcategory 2.5B1
 Communication speed : 4800 bps, 9600 bps, 19200 bps
 Data bit configuration : Data : 7 or 8-bit, Parity : Without, Odd or Even,
 Stop : 1-bit
 Maximum connections : 24 channels

General specifications

Power supply voltage : 21.6 to 26.4V DC [Rating : 24V DC]
 Power consumption : 70 mA max. (at 24 V DC)
 Allowable ambient temperature : 0 to +50°C
 Allowable ambient humidity : 45 to 85 %RH
 Weight : Approx. 270 g

Communication converter COM-J/COM-E/COM-H

Specifications

● PLC Communication Converter : COM-JE

PLC communication

Interface : Base on RS-422A, EIA standard
Base on RS-232C, EIA standard (RS-232C: COM. PORT1 only)

Protocol: MITSUBISHI MELSEC series special protocol
ACPU common command (WR/WW) (A series, FX2N, FX2NC series)
AnA/AnUCPU common command (QR/QW) (AnA/QnA series, Q series)
OMRON SYSMAC series special protocol
c mode command (RD/WD)

Data bit configuration : Start: 1-bit, Data : 7 or 8-bit,
Parity : Without, Odd or Even (Without for 8 data bits)
Stop : 1 or 2

Communication speed : 9600 bps, 19200 bps, 38400 bps
Maximum connections : Four COM-JE units per communication port of PLC

Host communication

Interface : Base on RS-422A, EIA standard
Base on RS-232C, EIA standard (RS-232C: COM. PORT1 only)

Protocol : ANSI X3.28-1976 subcategory 2.5, B1
Modbus-RTU

Communication speed : 9600 bps, 19200 bps, 38400 bps
Data bit configuration : Start: 1-bit, Data : 7 or 8-bit, (Modbus : 8-bit only)
Parity : Without, Odd or Even (Without for 8 data bits)
Stop : 1 or 2

Maximum connections : RS-422A: 16 units (COM-JE)
RS-232C: 1 unit (COM-JE)

Controller communication

Interface : Base on RS-485, EIA standard
Protocol : Modbus-RTU
Communication speed : 9600 bps, 19200 bps, 38400 bps
Data bit configuration : Start: 1-bit, Data : 8-bit, Without Parity, Stop: 1-bit
Maximum connections : 31 units (Controller)

General specifications

Power supply voltage : 21.6 to 26.4V DC [Rating : 24V DC]
Current consumption: 70 mA max.
Allowable ambient temperature: -10 to +50°C
Allowable ambient humidity : 5 to 95 %RH
(Absolute humidity: MAX.W.C 29.3 g/m³ dry air at 101.3 kPa)
Weight : Approx. 170 g

● PLC Communication Converter : COM-E

PLC communication

Interface : Base on RS-422A, EIA standard
Protocol: MITSUBISHI MELSEC series special protocol
ACPU common command (WR/WW) (A series)
AnA/AnUCPU common command (QR/QW) (AnA/QnA series, Q series)
OMRON SYSMAC series special protocol
c mode command (RD/WD)
YOKOGAWA FA-M3 series

Communication speed : 9600 bps, 19200 bps
Data bit configuration : Start: 1-bit, Data : 8-bit, Parity : Without or Even *1, Stop 1-bit
*1: For OMRON PLC

Maximum connections : One COM-E unit per communication port of PLC

Host communication

Interface : Base on RS-232C, EIA standard
Protocol : ANSI X3.28 subcategory 2.5, B1
Communication speed : 9600 bps, 19200 bps
Data bit configuration : Start: 1-bit, Data 8-bit, Without parity, Stop 1-bit
Maximum connections : 1 unit (COM-E)

Controller communication

Interface : Base on RS-485, EIA standard
Base on RS-422A, EIA standard
• To connect controllers via RS-485 with COM-E, T(A) and R(A) on RS-422 should be connected to T/R(A) on RS-485, and T(B) and R(B) on RS-422A to T/R (B) on RS-485.

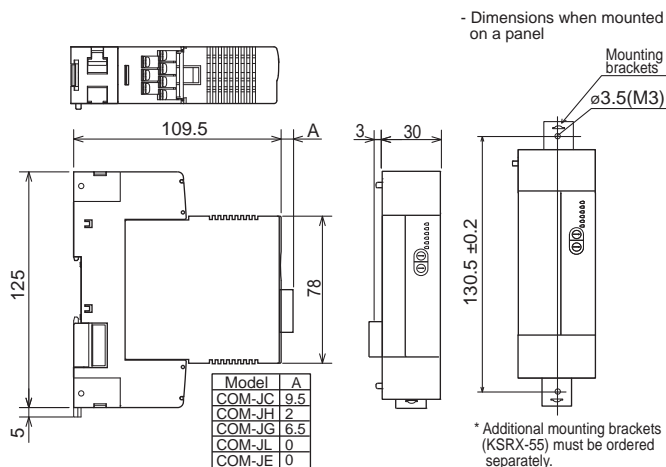
Protocol : ANSI X3.28 subcategory 2.5, B1
Communication speed : 9600 bps, 19200 bps
Data bit configuration : Start: 1-bit, Data 8-bit, Without parity, Stop: 1-bit
Maximum connections : 20 units (Controller)

General specifications

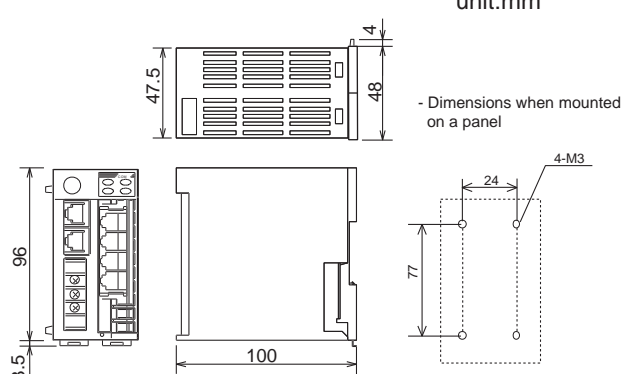
Power supply voltage : 21.6 to 26.4V DC [Rating : 24V DC]
Current consumption: 85 mA max.
Allowable ambient temperature: 0 to +50°C
Allowable ambient humidity : 45 to 85 %RH
Weight : Approx. 300 g

External Dimensions

● COM-J □



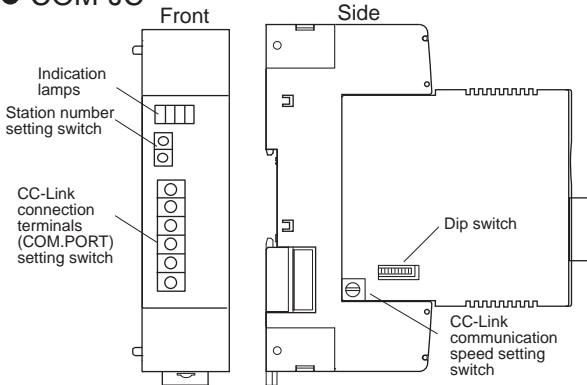
● COM-E/H



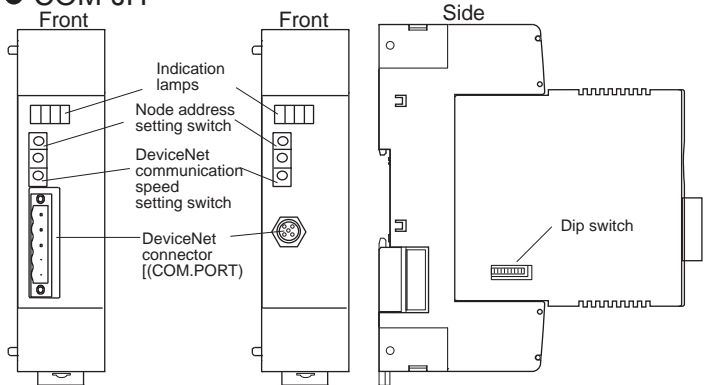
Communication converter COM-J/COM-E/COM-H

Front Explanations

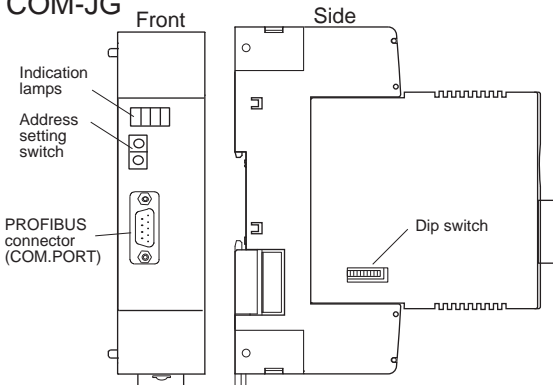
● COM-JC



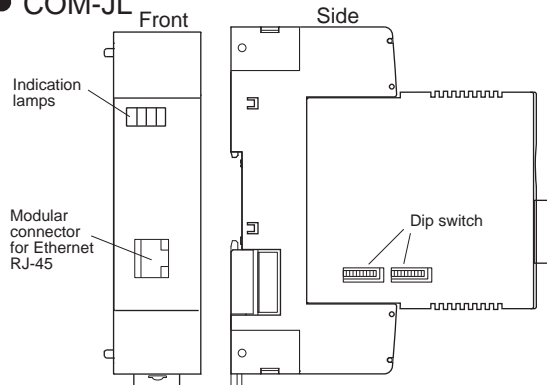
● COM-JH



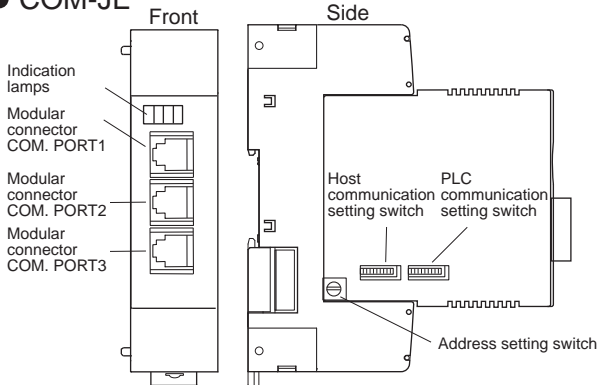
● COM-JG



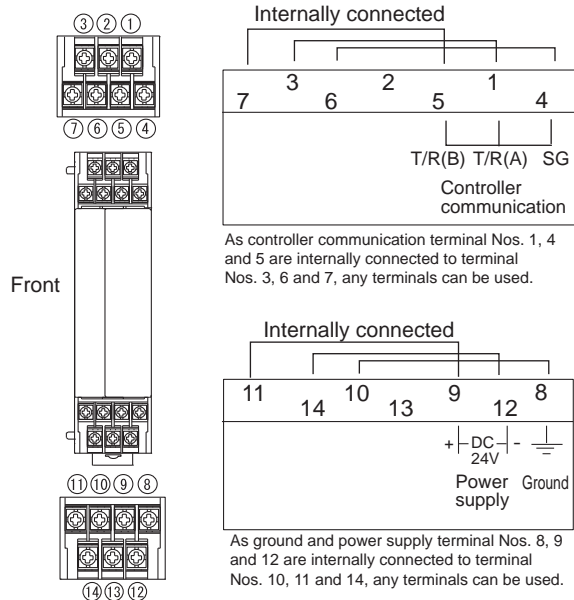
● COM-JL



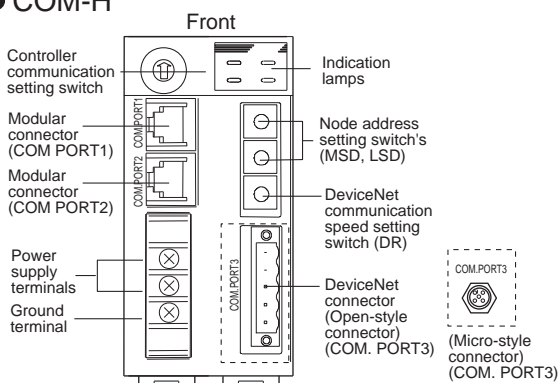
● COM-JE



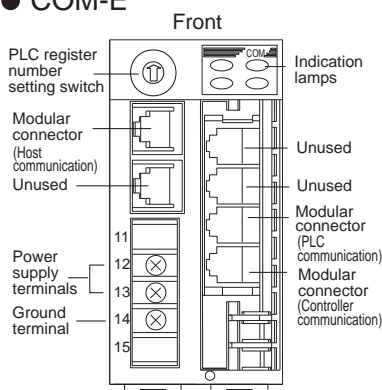
● COM-J□ Terminal Explanations



● COM-H



● COM-E



Model and Suffix Code

● CC-LINK Communication Converter : COM-JC

Specifications	Model and Suffix Code		
Model	COM-J	C * □ □ - □	
Type	CC-LINK Communication Converter	C	
Available controller	FB100/400/900 SRZ (Z-TIO,Z-DIO)	01 02	
RUN/STOP Logic selection	0:RUN, 1:STOP 0:STOP, 1:RUN		1 2

● DeviceNet Communication Converter : COM-JH

Specifications	Model and Suffix Code		
Model	COM-J	H - □ * □ □	
Type	DeviceNet Communication Converter	H	
Connector for Device Net	Open-style connector (Unshielded type) Micro-style connector (Shield type)	N 1	
Available controller	FB100/400/900 SRZ (Z-TIO,Z-DIO)		01 02

● DeviceNet Communication Converter : COM-H

Specifications	Model and Suffix Code		
Model	COM-H	- □ - □ - □ - □	
Supply voltage	24V DC	3	
Available controller	SR Mini/SR Mini HG CB100/400/500/700/900, F400/700/900 SA100,SA200,MA900/901,LE100	90	
Communication	RS-232C RS-422A *1		1 4
Connector for Device Net	Open-style connector (Unshielded type) Micro-style connector (Shield type)		N 1

*1 RS-485 is available.

● PLC Communication Converter : COM-JE

Specifications	Model and Suffix Code		
Model	COM-J	E - □ * □ □	
Type	PLC Communication Converter	E	
Communication	RS-232C RS-422A	1 4	
Available controller	FB100/400/900 RB100/400/900		01 03

● PROFIBUS Communication Converter : COM-JG

Specifications	Model and Suffix Code		
Model	COM-J	G * □ □	
Type	PROFIBUS Communication Converter	G	
Available controller	FB100/400/900 SRZ (Z-TIO,Z-DIO)	01 02	

● Ethernet Communication Converter : COM-JL

Specifications	Model and Suffix Code		
Model	COM-J	L - □ * □ □	
Type	Ethernet Communication Converter	L	
Communication	Modbus/TCP		1
Available controller	FB100/400/900 SRZ (Z-TIO,Z-DIO)		01 02

● PLC Communication Converter : COM-E

Specifications	Model and Suffix Code		
Model	COM-E	- □ - □	
Available PLC	YOKOGAWA PLC FA-M3 MITSUBISHI MELSEC A series (A,AnA,AnU type) / Q series / QnA series OMRON PLC SYSMAC CS1 series	01 02 03	
Available controller	CB100/400/500/700/900, REX-F400/700/900, SA200		01

Safety Standards:

When specifying models with CE Mark, CSA Certification and UL recognition add "/CE" to the model code.

Accessory

Cable

Specifications	Model Code
Between COM-E,H and CB100/400/500/700/900, F400/700/900,SA100,SA200,LE100 (3 meters)	W-BF-01-3000
Between COM-H and SR Mini HG/SR Mini (3 meters)	W-BF-02-3000