

2 ISOLATED OUTPUTS CONVERTER

■ FEATURE

- 2&3 Isolated output
- Actualization of high accuracy
- Free voltage power (AC85~264V) / DC24V
- 3outputs High speed function (DWHI :1msec)

DW - SERIES



Contents

	ITEMS		MODEL	PAGE
1	2 OUTPUT SIGNAL ISOLATOR & POWER DISTRIBUTOR	1&2出力 信號絕緣 變換器 & 傳送器用 電源	DWIP	34
2	2 ISOLATED OUTPUT R.T.D CONVERTER	2出力 測溫抵抗體 變換器	DWRB	35
3	2 OUTPUT THERMOCOUPLE CONVERTER	2出力 熱電對 變換器	DWTC	36
4	2 OUTPUT POTENTIOMETER CONVERTER	2出力 可變抵抗 變換器	DWPC	37
5	2 OUTPUT SIGNAL ISOLATOR	2出力 信號絕緣 變換器	DWSI	38
6	2 OUTPUT REVERSE CONVERTER	2出力 逆信號 變換器	DWRC	39
7	2 OUPUT STRAIN GAUGE CONVERTER	2出力 STRAIN GAUGE 變換器	DWLS	40
8	3 OUTPUT HIGH SPEED ISOLATOR	3出力 高速 變換器	DWHI	41
9	2 OUTPUT POWER DISTIRIBUTOR WITH SQUARE ROOT EXTRACTOR	2出力 傳送器用 電源 開平演算器	DWPQ	42

General Specifications

2 OUTPUT SIGNAL ISOLATOR & POWER DISTRIBUTOR 2出力 信號絶縁 變換器 & 傳送器用 電源



This instrument is a high accurate converter that provides simultaneously all transmitters such as pressure transmitter, flow transmitter, and level transmitter with power supply and signal conversion.

Also, It is isolated two outputs and contains overcurrent and overvoltage protection circuit inside.

It is especially advantageous to use both isolator and power distributor that changes wiring jumper.

SPECIFICATIONS

ITEMS	DESCRIPTIONS
OUTPUT RATING SUPPLY TO X TR	DC 24V 30mA Max, Ripple : less than 0.1Vp-p
OUTPUT	DC Current or DC Voltage signal
ACCURACY	±0.1% Max.
TEMP. COEFFICIENT	±0.015% / °C
RESPONSE TIME	Less than 0.5Sec (0~90%)
INSULATION RESISTANCE	Greater than 100MΩ at DC 500V
DIELECTRIC - STRENGTH	Input - Power AC 1,000V
	Input - Output1 - Output2 AC 1,000V
	Input1 - Output2 AC 1,000V
POWER SUPPLY	AC 85 ~ 264V, 50 ~ 60Hz
	ISOLATOR : 5VA DC 24V 100mA
	POWER DISTRIBUTOR : 7VA DC 24V 130mA
AMBIENT - TEMP	-5 ~ +55°C (23 ~ 131 °F)
HUMIDITY	Less than 90% RH (no condensation)
CASE MATERIAL	ABS
COLOR	Black
WEIGHT	About 200g
DIMENSION	W50 X H80 X D137mm
MOUNTING	DIN RAIL

ORDERING CODE

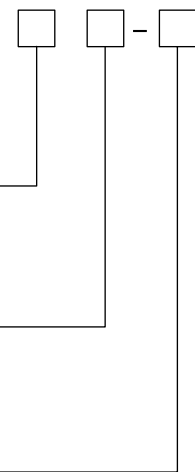
MODEL : DWIP -

• INPUT SIGNAL
4~20mA DC (2-Wire DC24V)

• OUTPUT1 SIGNAL
7. 4~20mA DC F. 1~5V DC
0. Other Current Z. Other Voltage
(Less than 20mA) (Less than 12V)

• OUTPUT2 SIGNAL
7. 4~20mA DC F. 1~5V DC
0. Other Current Z. Other Voltage
(Less than 20mA) (Less than 12V)

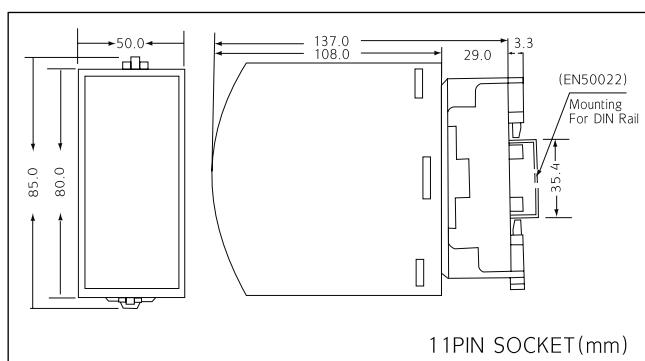
• POWER SUPPLY
1. AC 85V~264V 2. DC 24V



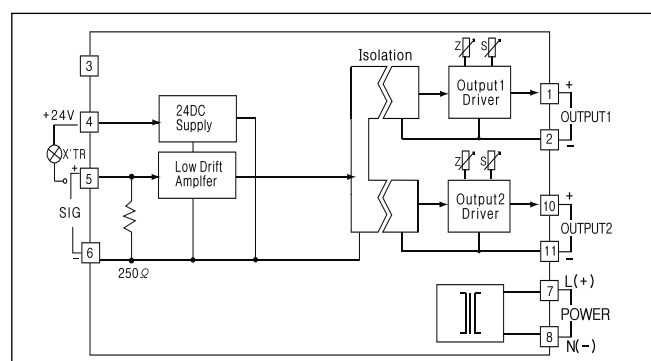
OUTPUT LOAD RESISTANCE

OUTPUT SIGNAL	LOAD RESISTANCE
DC 4~20mA	Less than 600Ω
DC 1~5V	More than 2.5KΩ
DC 0~10V	More than 5KΩ

DIMENSION



BLOCK DIAGRAM



General Specifications

2 ISOLATED OUTPUT R.T.D CONVERTER

2出力 測溫抵抗體 變換器



This instrument is a high accurate converter that has RTD as an input signal and converts variation of resistance according to the temperature into DC output signal.

Also, it actualizes high and accurate linearization and compensation of line resistance.

It is especially advantageous to construct loop because input and output are separated completely and isolated between two outputs.

SPECIFICATIONS

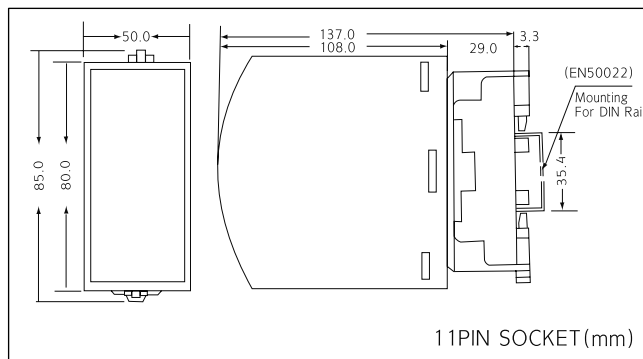
ITEMS	DESCRIPTIONS
INPUT	Pt 100Ω 3-Wire (Over 50deg) Adjustment needed for 2wire Bulb Permissible resistance of cable less than 10Ω
SUPPLY CURRENT TO Pt BULB	DC 2mA
BURN - OUT	Upper Limit
OUTPUT	DC Current or DC Voltage signal
ACCURACY	±0.2% Max,
TEMP. COEFFICIENT	±0.02% / °C
RESPONSE TIME	Less than 0.5Sec (0~90%)
INSULATION RESISTANCE	Greater than 100MΩ at DC 500V
DIELECTRIC - STRENGTH	Input - Power AC 1,000V
	Input - Output1 - Output2 AC 1,000V
	Input1 - Output2 AC 1,000V
	1 Minute
POWER SUPPLY	AC 85~264V, 50~60Hz, 6VA DC 24V ± 10%, 120mA
AMBIENT - TEMP	-5 ~ +55°C (23 ~ 131 °F)
HUMIDITY	Less than 90% RH (no condensation)
CASE MATERIAL	ABS
COLOR	Black
WEIGHT	About 200g
DIMENSION	W50 X H80 X D137mm
MOUNTING	DIN RAIL

STANDARD INPUT RANGE

(UNIT : °C)

INPUT	RANGE
Pt 100Ω	0~50, 0~100, 0~150, 0~200, 0~250, 0~300, 0~400 0~500, -20 ~ +80, -50 ~ +50, -50 ~ +150, 50~100 50~150, 100~200, 100~300, 200~400

DIMENSION



ORDERING CODE

MODEL : DWRB - [] [] [] - [] / [] []

INPUT SIGNAL

1. JPt 100Ω (JIS) 3-Wire
2. Pt 100Ω (DIN) 3-Wire
3. Others

OUTPUT1 SIGNAL

7. 4~20mA DC
 0. Other Current
- F. 1~5V DC
Z. Other Voltage
(Less than 20mA) (Less than 12V)

OUTPUT2 SIGNAL

7. 4~20mA DC
 0. Other Current
- F. 1~5V DC
Z. Other Voltage
(Less than 20mA) (Less than 12V)

POWER SUPPLY

1. AC 85V~264V
2. DC 24V

BURN OUT

- U. Up scale

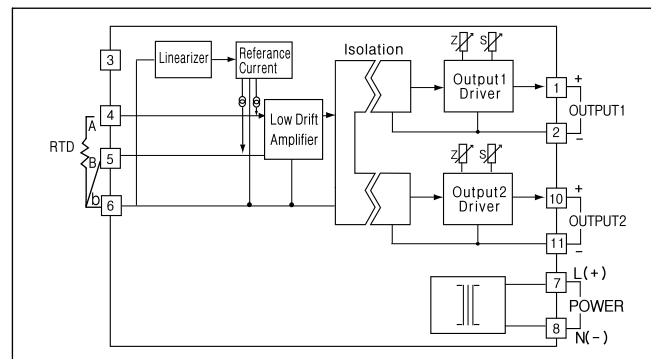
OPTION

- H. High Speed(10mSec)

OUTPUT LOAD RESISTANCE

OUTPUT SIGNAL	LOAD RESISTANCE
DC 4~20mA	Less than 600Ω
DC 1~5V	More than 2.5KΩ
DC 0~10V	More than 5KΩ

BLOCK DIAGRAM



General Specifications

2 OUTPUT THERMOCOUPLE CONVERTER

2出力 熱電對 變換器



This instrument is a high accurate converter that has various T/C as an input, then converts it into DC signal through temperature compensation and linear circuit as receiving a signal corresponding to temperature.

It is especially advantageous to construct loop because input and output are separated completely and isolated between two outputs.

SPECIFICATIONS

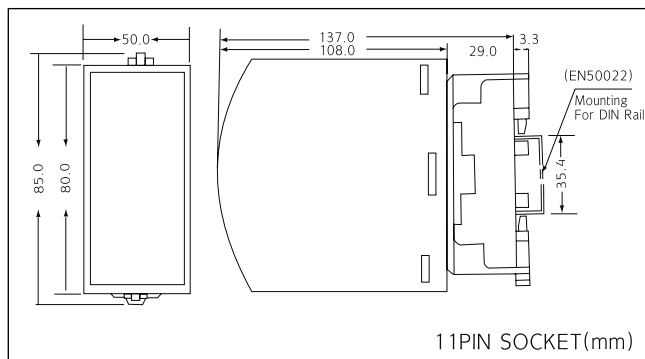
ITEMS	DESCRIPTIONS
INPUT	Thermocouple (K, J, T, E, B, R, S)
BURN - OUT	Upper Limit
OUTPUT	DC Current or DC Voltage signal
ACCURACY	±0.3% Max.
TEMP. COEFFICIENT	±0.02% / °C
RESPONSE TIME	Less than 0.5Sec (0~90%)
INSULATION RESISTANCE	Greater than 100MΩ at DC 500V
DIELECTRIC - STRENGTH	Input - Power AC 1,000V
	Input - Output1 - Output2 AC 1,000V
	Input1 - Output2 AC 1,000V
	1 Minute
POWER SUPPLY	AC 85 ~ 264V, 50~60Hz 6VA DC 24V ± 10%, 120mA
AMBIENT - TEMP	-5 ~ +55°C (23 ~ 131 °F)
HUMIDITY	Less than 90% RH (no condensation)
CASE MATERIAL	ABS
COLOR	Black
WEIGHT	About 200g
DIMENSION	W50 X H80 X D137mm
MOUNTING	DIN RAIL

STANDARD INPUT RANGE

(UNIT : °C)

INPUT	RANGE
K	-50~+100, 0~300, 0~400, 0~500, 0~600 0~800, 0~1000, 0~1200
J	0~200, 0~300, 0~400, 0~800
T	-20~80, 0~100, 0~200
R	600~1600

DIMENSION



ORDERING CODE

MODEL : DWTC - [] [] [] - [] / [] []

INPUT SIGNAL

- 1. K(CA)
- 2. J(IC)
- 3. T(CC)
- 4. E(CRC)
- 5. B
- 6. S
- 7. R
- 8. Other Thermocouple

OUTPUT1 SIGNAL

- 7. 4~20mA DC
- 0. Other Current (Less than 22mA)
- F. 1~5V DC
- Z. Other Voltage (Less than 12V)

OUTPUT2 SIGNAL

- 7. 4~20mA DC
- 0. Other Current (Less than 22mA)
- F. 1~5V DC
- Z. Other Voltage (Less than 12V)

POWER SUPPLY

- 1. AC 85V~264V
- 2. DC 24V

BURN OUT

- U. Up scale

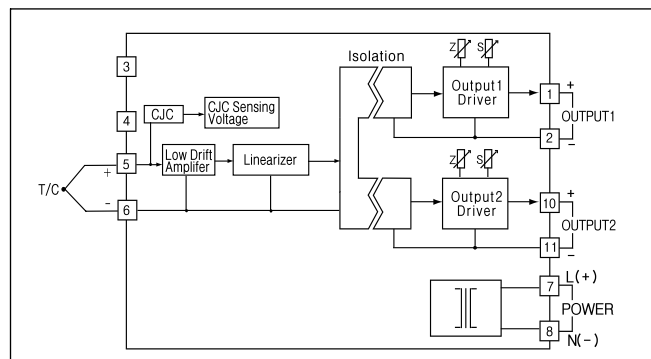
OPTION

- H. High Speed(10mSec)

OUTPUT LOAD RESISTANCE

OUTPUT SIGNAL	LOAD RESISTANCE
DC 4~20mA	Less than 600Ω
DC 1~5V	More than 2.5KΩ
DC 0~10V	More than 5KΩ

BLOCK DIAGRAM



General Specifications

2 OUTPUT POTENTIOMETER CONVERTER

2出力 可變抵抗 變換器



This instrument is a high and accurate converter that has resistance signal of 3 lines potentiometer (100Ω ~ 100kΩ) as an input, then converts it into DC signals. It is widely used for float type water level detector etc, and has hardly mutual interference of zero and span.

It is especially advantageous to construct loop because input and output are separated completely and isolated between two outputs.

SPECIFICATIONS

ITEMS	DESCRIPTIONS	
INPUT	Potentiometer (from 100Ω ~ 100KΩ)	
OUTPUT	DC Current or DC Voltage signal	
ACCURACY	±0.2% Max.	
TEMP. COEFFICIENT	±0.015% / °C	
RESPONSE TIME	Less than 0.5Sec (0~90%)	
INSULATION RESISTANCE	Greater than 100MΩ at DC 500V	
DIELECTRIC - STRENGTH	Input - Power AC 1,000V	1 Minute
	Input - Output1 - Output2 AC 1,000V	
	Input1 - Output2 AC 1,000V	
POWER SUPPLY	AC 85 ~ 264V, 50~60Hz 5VA DC 24V ± 10% 110mA	
AMBIENT - TEMP	-5 ~ +55°C (23 ~ 131 °F)	
HUMIDITY	Less than 90% RH (no condensation)	
CASE MATERIAL	ABS	
COLOR	Black	
WEIGHT	About 200g	
DIMENSION	W50 X H80 X D137mm	
MOUNTING	DIN RAIL	

ORDERING CODE

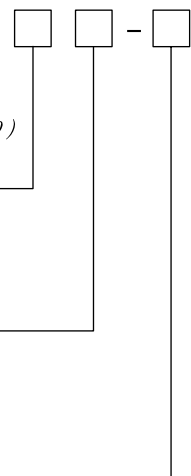
MODEL : DWPC -

• INPUT SIGNAL
POTENTIOMETER (Total resistance 100Ω ~ 100KΩ)

• OUTPUT1 SIGNAL
7. 4~20mA DC F. 1~5V DC
0. Other Current Z. Other Voltage
(Less than 22mA) (Less than 12V)

• OUTPUT2 SIGNAL
7. 4~20mA DC F. 1~5V DC
0. Other Current Z. Other Voltage
(Less than 22mA) (Less than 12V)

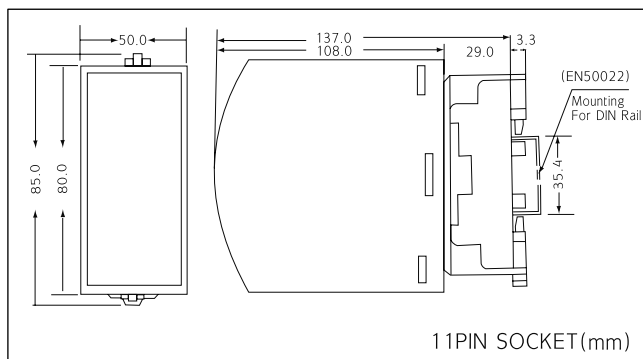
• POWER SUPPLY
1. AC 85V~264V 2. DC 24V



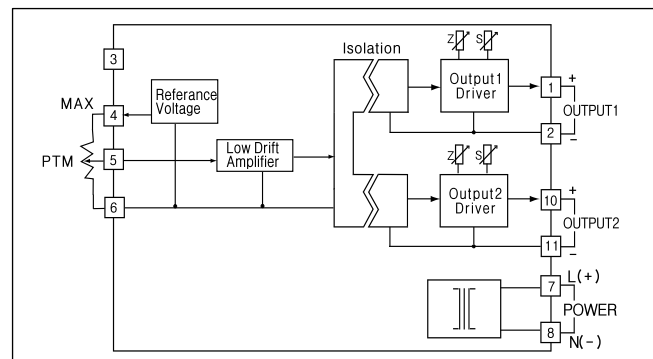
OUTPUT LOAD RESISTANCE

OUTPUT SIGNAL	LOAD RESISTANCE
DC 4~20mA	Less than 600Ω
DC 1~5V	More than 2.5KΩ
DC 0~10V	More than 5KΩ

DIMENSION



BLOCK DIAGRAM



General Specifications

2 OUTPUT SIGNAL ISOLATOR

2出力 信號絶縁 變換器



This instrument has DC voltage and current as an input signal, then converts and outputs it under the condition that input and output are separated completely.

It is high and accurate converter that is suitable to protect a pulse noise and high peak voltage demanded in a computer interface and field instruments.

It is especially advantageous to construct loop because input and output are separated completely and isolated between two outputs.

SPECIFICATIONS

ITEMS	DESCRIPTIONS	
INPUT	DC Current or DC Voltage signal	
OUTPUT	DC Current or DC Voltage signal	
ACCURACY	±0.1% Max.	
TEMP. COEFFICIENT	±0.015% / °C	
RESPONSE TIME	Less than 0.5Sec (0~90%)	
INSULATION RESISTANCE	Greater than 100MΩ at DC 500V	
DIELECTRIC - STRENGTH	Input - Power AC 1,000V	1 Minute
	Input - Output1 - Output2 AC 1,000V	
	Input1 - Output2 AC 1,000V	
POWER SUPPLY	AC 85 ~ 264V, 50~60Hz 5VA	
	DC 24V ± 10% 110mA	
AMBIENT - TEMP	-5 ~ +55°C (23 ~ 131 °F)	
HUMIDITY	Less than 90% RH (no condensation)	
CASE MATERIAL	ABS	
COLOR	Black	
WEIGHT	About 200g	
DIMENSION	W50 X H80 X D137mm	
MOUNTING	DIN RAIL	

ORDERING CODE

MODEL : DWSI - [] [] [] - []

INPUT SIGNAL

- | | |
|------------------|------------------|
| 1. 0~1mA DC | A. 0~10mV DC |
| 2. 0~10mA DC | B. 0~100mV DC |
| 3. 0~16mA DC | C. 0~1V DC |
| 4. 0~20mA DC | D. 0~5V DC |
| 5. 1~5mA DC | E. 0~10V DC |
| 6. 2~10mA DC | F. 1~5V DC |
| 7. 4~20mA DC | Z. Other Voltage |
| 0. Other Current | |

OUTPUT1 SIGNAL

- | | |
|------------------|------------------|
| 7. 4~20mA DC | F. 1~5V DC |
| 0. Other Current | Z. Other Voltage |
| (Less than 22mA) | (Less than 12V) |

OUTPUT2 SIGNAL

- | | |
|------------------|------------------|
| 7. 4~20mA DC | F. 1~5V DC |
| 0. Other Current | Z. Other Voltage |
| (Less than 22mA) | (Less than 12V) |

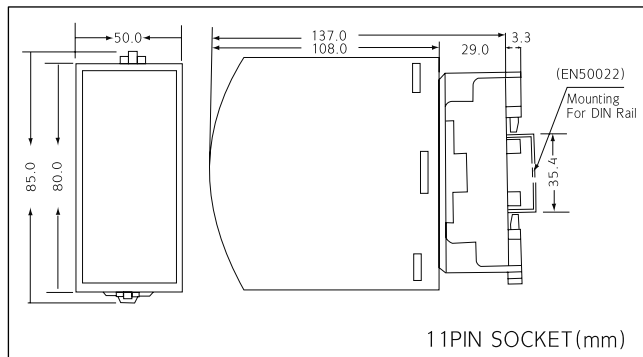
POWER SUPPLY

- | | |
|----------------|-----------|
| 1. AC 85V~264V | 2. DC 24V |
|----------------|-----------|

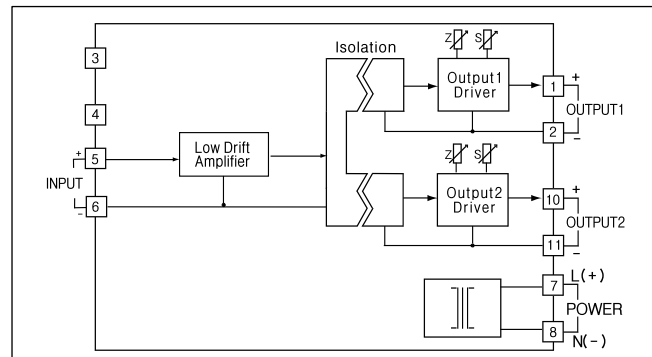
OUTPUT LOAD RESISTANCE

OUTPUT SIGNAL	LOAD RESISTANCE
DC 4~20mA	Less than 600Ω
DC 1~5V	More than 2.5KΩ
DC 0~10V	More than 5KΩ

DIMENSION



BLOCK DIAGRAM



General Specifications

2 OUTPUT REVERSE CONVERTER

2出力 逆信號 變換器



This instrument receives DC voltage and current as an input signal then reverse output signals of all instrument if the reverse is needed. It is especially advantageous to construct loop because input and output are separated completely and isolated between two outputs. In the mounting method is DIN RAIL mounting.

SPECIFICATIONS

ITEMS	DESCRIPTIONS	
INPUT	DC Current or DC Voltage signal	
OUTPUT	DC Current or DC Voltage signal	
ACCURACY	±0.1% Max.	
TEMP. COEFFICIENT	±0.015% / °C	
RESPONSE TIME	Less than 0.5Sec (0~90%)	
INSULATION RESISTANCE	Greater than 100MΩ at DC 500V	
DIELECTRIC - STRENGTH	Input - Power AC 1,000V	1 Minute
	Input - Output1 - Output2 AC 1,000V	
	Input1 - Output2 AC 1,000V	
POWER SUPPLY	AC 85 ~ 264V, 50~60Hz 5VA	
	DC 24V ± 10% 110mA	
AMBIENT - TEMP	-5 ~ +55°C (23 ~ 131 °F)	
HUMIDITY	Less than 90% RH (no condensation)	
CASE MATERIAL	ABS	
COLOR	Black	
WEIGHT	About 200g	
DIMENSION	W50 X H80 X D137mm	
MOUNTING	DIN RAIL	

ORDERING CODE

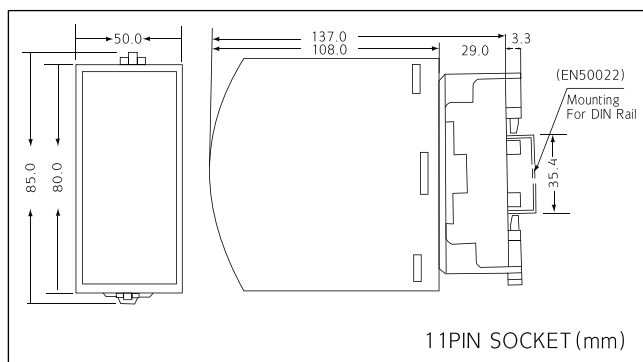
MODEL : DWRC - -

- INPUT SIGNAL**
 - 7 . 4~20mA DC F . 1~5V DC
 - 0 . Other Current Z . Other Voltage
- OUTPUT1 SIGNAL**
 - 7 . 20~4mA DC F . 5~1V DC
 - 0 . Other Current Z . Other Voltage (Less than 12V)
- OUTPUT2 SIGNAL**
 - 7 . 20~4mA DC F . 5~1V DC
 - 0 . Other Current Z . Other Voltage (Less than 12V)
- POWER SUPPLY**
 - 1 . AC 85V~264V 2 . DC 24V

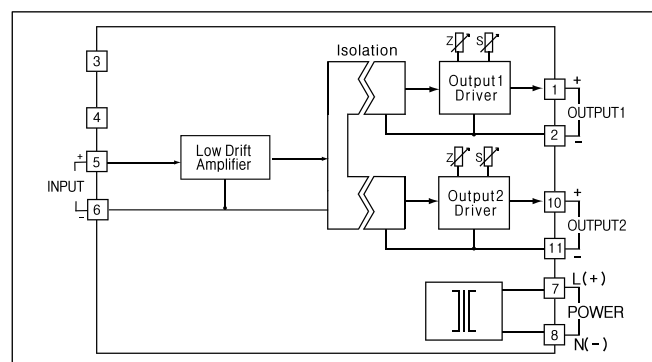
OUTPUT LOAD RESISTANCE

OUTPUT SIGNAL	LOAD RESISTANCE
DC 4~20mA	Less than 600Ω
DC 1~5V	More than 2.5KΩ
DC 0~10V	More than 5KΩ

DIMENSION



BLOCK DIAGRAM



General Specifications

2 OUTPUT STRAIN GAUGE CONVERTER

2出力 Strain gauge 變換器



This instrument converts Load cell or strain gauge as an input signal into DC voltage or current. It actualizes a high and accurate performance that residual magnetic voltage selects constant voltage and amplifier circuit select low noise type.

It is especially advantageous to construct loop because input and output are separated completely and isolated between two outputs.

SPECIFICATIONS

ITEMS	DESCRIPTIONS		
LOAD CELL TO BE COMBINED	Bridge Resistance 350Ω or more rated output Voltage 2mV/V and other		
APPLIED VOLTAGE	DC 10V(Standard)		
OUTPUT	DC Current or DC Voltage signal		
ACCURACY	±0.2% Max.		
TEMP. COEFFICIENT	±0.015% / °C		
RESPONSE TIME	Less than 0.5Sec (0~90%)		
INSULATION RESISTANCE	Greater than 100MΩ at DC 500V		
DIELECTRIC - STRENGTH	Input - Power	AC 1,000V	1 Minute
	Input - Output1 - Output2	AC 1,000V	
	Input1 - Output2	AC 1,000V	
POWER SUPPLY	AC 85 ~ 264V, 50~60Hz 7VA DC 24V ± 10% 130mA		
AMBIENT - TEMP	-5 ~ +55°C (23 ~ 131 °F)		
HUMIDITY	Less than 90% RH (no condenstation)		
CASE MATERIAL	ABS		
COLOR	Black		
WEIGHT	About 200g		
DIMENSION	W50 X H80 X D137mm		
MOUNTING	DIN RAIL		

ORDERING CODE

MODEL : DWLS - [] [] [] - []

• EXT. VOLTAGE

- 7. DC 5V
- F. DC 10V
- Z. Other Voltage

• LOAD CELL

- 1. 1mV/V
- 2. Other

• OUTPUT1 SIGNAL

- 7. 4~20mA DC
- 0. Other Current
- (Less than 22mA)
- F. 1~5V DC
- Z. Other Voltage
- (Less than 12V)

• OUTPUT2 SIGNAL

- 7. 4~20mA DC
- 0. Other Current
- (Less than 22mA)
- F. 1~5V DC
- Z. Other Voltage
- (Less than 12V)

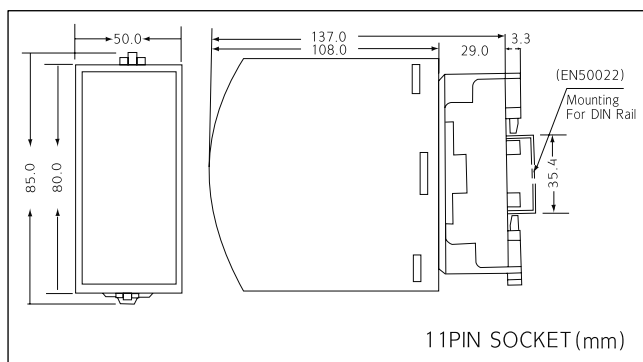
• POWER SUPPLY

- 1. AC 85V~264V
- 2. DC 24V

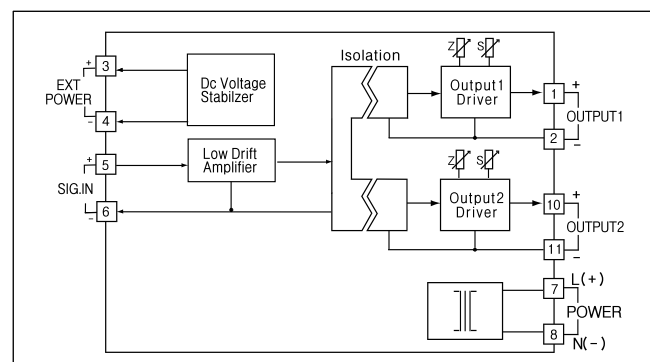
■ OUTPUT LOAD RESISTANCE

OUTPUT SIGNAL	LOAD RESISTANCE
DC 4~20mA	Less than 600Ω
DC 1~5V	More than 2.5KΩ
DC 0~10V	More than 5KΩ

DIMENSION



BLOCK DIAGRAM



General Specifications

3 OUTPUT HIGH SPEED ISOLATOR

3 出力 高速 變換器



This instrument receives DC voltage and current as an input signal and provides conversion output when the input & output is separated completely. Especially an input, an output and power are isolate using a transformer and it is called "3 ways isolator". this instrument is a high speed response converter like computer interface.

It is especially advantageous to construct loop because input and output are separated completely and isolated between three outputs.

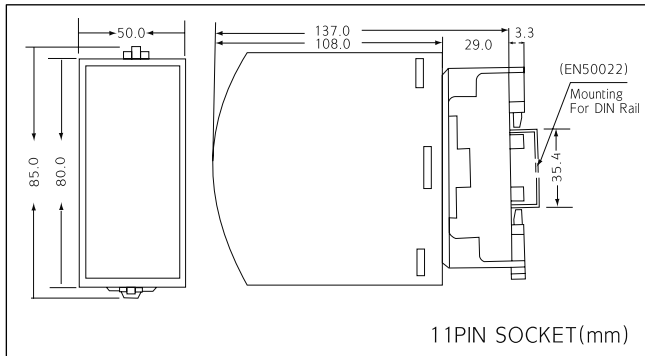
SPECIFICATIONS

ITEMS	DESCRIPTIONS
INPUT	DC Current or DC Voltage signal
OUTPUT	DC Voltage(1~5V) or DC Current(4~20mA)Signal
ACCURACY	±0.1% Max.
TEMP. COEFFICIENT	±0.015% / °C
RESPONSE TIME	Less than 1mSec (0~90%)
INSULATION RESISTANCE	Greater than 100MΩ at DC 500V
DIELECTRIC - STRENGTH	Input - Power AC 1,500V
	Input - Output1, Output2, Output3 AC 1,500V
	Input1 - Output2 - Output3 AC 1,500V
POWER SUPPLY	AC 100/220, 50/60Hz, 7VA
AMBIENT - TEMP	-5 ~ +55°C (20 ~ 130 °F)
HUMIDITY	Less than 90% RH (no condensation)
CASE MATERIAL	ABS
COLOR	Black
WEIGHT	About 400g
DIMENSION	W50 X H80 X D137mm
MOUNTING	DIN RAIL

OUTPUT LOAD RESISTANCE

OUTPUT SIGNAL	LOAD RESISTANCE
DC 4~20mA	Less than 600Ω
DC 1~5V	More than 2.5KΩ
DC 0~10V	More than 5KΩ

DIMENSION

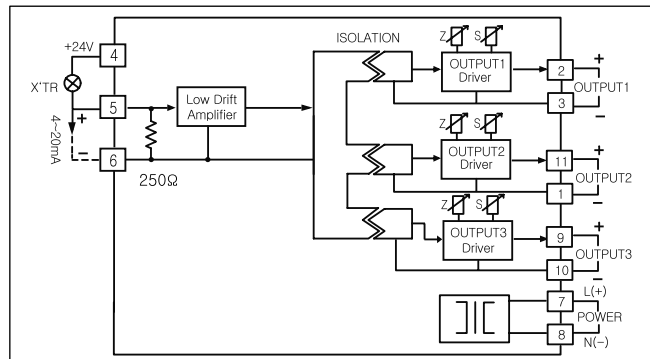


ORDERING CODE

MODEL : DWHI - [] [] [] [] - []

- INPUT SIGNAL**
 - 7. 4~20mA DC (2-Wire DC24V)
 - F. 1~5V DC
 - G. Other
- OUTPUT1 SIGNAL**
 - 7. 4~20mA DC F. 1~5V DC
 - 0. Other Current Z. Other Voltage (Less than 12V)
- OUTPUT2 SIGNAL**
 - 7. 4~20mA DC F. 1~5V DC
 - 0. Other Current Z. Other Voltage (Less than 12V)
 - N. None
- OUTPUT3 SIGNAL**
 - 7. 4~20mA DC F. 1~5V DC
 - 0. Other Current Z. Other Voltage (Less than 12V)
 - N. None
- POWER SUPPLY**
 - 1. AC 110V
 - 2. AC 220V

BLOCK DIAGRAM



General Specifications

2 OUTPUT POWER DISTRIBUTOR WITH SQUARE ROOT EXTRACTOR 2出力 傳送器用 電源 開平演算器($\sqrt{\quad}$)



This instrument is a high accurate converter that provides all transmitters such as pressure transmitter, a flow transmitter, and a level transmitter with power supply and signal conversion. Also, It contains a protection circuit for over current and over voltage inside.

It has a calculating function linear compensated the root scale of current output according to the flow characteristic.

SPECIFICATIONS

ITEMS	DESCRIPTIONS
OUTPUT RATING SUPPLY TO X' TR	DC 24V 30mA Max, Riffle : less than 0.1Vp-p
OUTPUT	DC Current or DC Voltage signal
ACCURACY	$\pm 0.3\%$ Max.
TEMP. COEFFICIENT	$\pm 0.015\%$ / $^{\circ}\text{C}$
RESPONSE TIME	Less than 0.5Sec (0~90%)
INSULATION RESISTANCE	Greater than 100M Ω at DC 500V
DIELECTRIC - STRENGTH	Input - Power AC 1,000V
	Input - Output1 - Output2 AC 1,000V
	Input1 - Output2 AC 1,000V
	1 Minute
POWER SUPPLY	AC 85 ~ 264V, 50~60Hz 7VA DC 24V $\pm 10\%$ 130mA
AMBIENT - TEMP	-5 ~ +55 $^{\circ}\text{C}$ (23 ~ 131 $^{\circ}\text{F}$)
HUMIDITY	Less than 90% RH (no condensation)
CASE MATERIAL	ABS
COLOR	Black
WEIGHT	About 200g
DIMENSION	W50 X H80 X D137mm
MOUNTING	DIN RAIL

ORDERING CODE

MODEL : DWPQ -

• INPUT SIGNAL

DC 4~20mA (2-Wire DC24V)

• OUTPUT1 SIGNAL

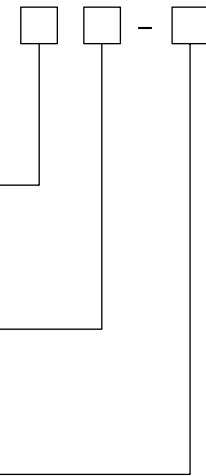
7. 4~20mA DC F. 1~5V DC
0. Other Current Z. Other Voltage
(Less than 22mA) (Less than 12V)

• OUTPUT2 SIGNAL

7. 4~20mA DC F. 1~5V DC
0. Other Current Z. Other Voltage
(Less than 22mA) (Less than 12V)

• POWER SUPPLY

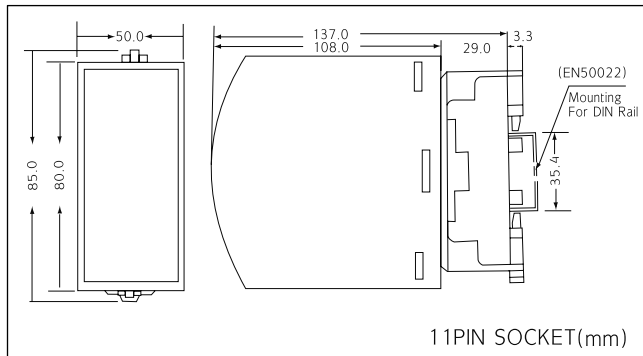
1. AC 85V~264V 2. DC 24V



OUTPUT LOAD RESISTANCE

OUTPUT SIGNAL	LOAD RESISTANCE
DC 4~20mA	Less than 600 Ω
DC 1~5V	More than 2.5K Ω
DC 0~10V	More than 5K Ω

DIMENSION



BLOCK DIAGRAM

