

ALARM SETTER

■ FEATURE

- 2 ALARM Function
- Compact shape and easy handing
- Free voltage power (AC85~264V)

DA - SERIES



Contents

	ITEMS		MODEL	PAGE
1	2 OUTPUT R.T.D. ALARM SETTER	2出力 測溫抵抗體 入力 警報器	DARB	44
2	2 OUTPUT THERMOCOUPLE ALARM SETTER	2出力 熱電對 入力 警報器	DATC	45
3	2 OUTPUT POTENTIOMETER ALARM SETTER	2出力 可變抵抗 入力 警報器	DAPC	46
4	2 OUTPUT DC SIGNAL ALARM SETTER	2出力 直流信號 入力 警報器	DADS	47
5	2 OUTPUT TACHOGENERATOR ALARM SETTER	2出力 回轉數 入力 警報器	DATG	48
6	2 OUTPUT AC VOLTAGE ALARM SETTER	2出力 交流電壓 入力 警報器	DAPT	49
7	2 OUTPUT AC CURRENT ALARM SETTER	2出力 交流電流 入力 警報器	DACT	50

General Specifications

2 OUTPUT RTD ALARM SETTER 2出力 測温抵抗體 入力 警報器



This is a high and accurate converter that receives RTD as an input, and then generates an alarm at two point occurred by a point of contact output by an establishment of maximum and minimum values.

It is used for effective interlock according to a process condition. It gets rid of inconvenience according to power change because power adopts free voltage

SPECIFICATIONS

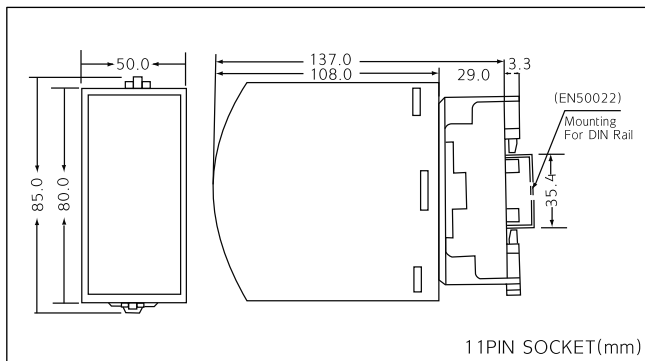
ITEMS	DESCRIPTIONS
INPUT	Pt100Ω 3-wire (Over 50deg) Adjustment needed for 2 wire bulb permissible resistance of cable less than 10Ω
OUTPUT	Relay contact
OUTPUT RATING	AC120V 1A, AC240V 0.5A, DC30V 1A
SETPOINT ACCURACY	±0.5% / F.S
SETTING	Digital switch
SETTING RANGE	0 ~ 99% with every 1% step
HYSTERESIS	0.25 ~ 1.5%
TEMP. COEFFICIENT	±0.02% / °C
INSULATION RESISTANCE	Greater than 100MΩ at DC 500V
DIELECTRIC - STRENGTH	Power - Input, Output AC 1,000V Input - Power AC 1,000V 1 Minute
POWER SUPPLY	AC 85 ~ 264V, 50~60Hz 7VA
AMBIENT - TEMP	-5 ~ +55°C (23 ~ 131 °F)
HUMIDITY	Less than 90% RH (no condensation)
CASE MATERIAL	ABS
COLOR	Black
WEIGHT	About 200g
DIMENSION	W50 X H80 X D137mm
MOUNTING	DIN RAIL

STANDARD INPUT RANGE

(UNIT : °C)

INPUT	RANGE
Pt 100Ω	0~50, 0~100, 0~150, 0~200, 0~250, 0~300, 0~400 0~500, -20 ~ +80, -50 ~ +50, -50 ~ +150, 50~100 50~150, 100~200, 100~300, 200~400

DIMENSION



ORDERING CODE

MODEL : DARB -

INPUT SIGNAL

1. JPt 100Ω (JIS) 3-Wire
2. Pt 100Ω (DIN) 3-Wire
3. Others

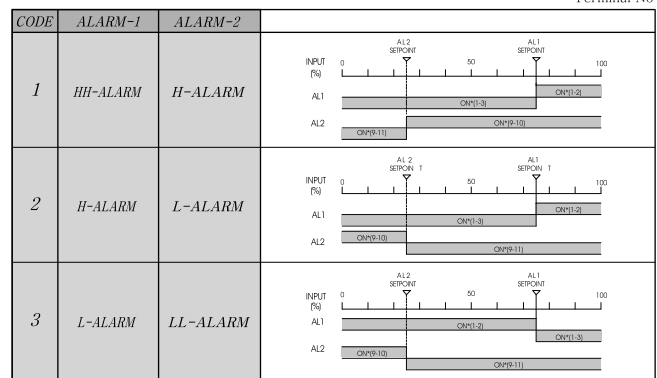
OUTPUT

1. HH - H
2. H - L
3. L - LL

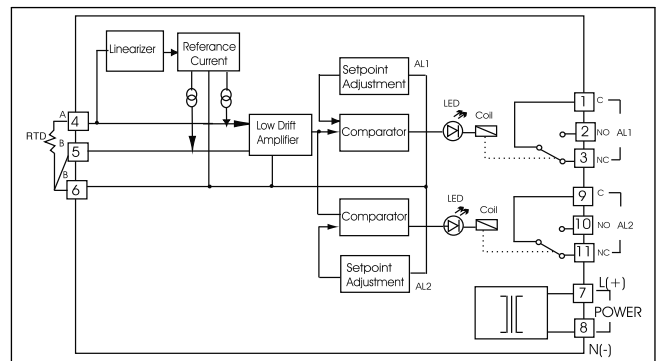
POWER SUPPLY

1. AC 85V~264V

OUTPUT



BLOCK DIAGRAM



General Specifications

2 OUTPUT THERMOCOUPLE ALARM SETTER

2 出力 熱電對 入力 警報器



This is a high and accurate converter that receives various T/C as an input, and then generates an alarm at two point occurred by a point of contact output by an establishment of maximum and minimum values.

It is used for effective interlock according to a process condition. It gets rid of inconvenience according to power change because power adopts free voltage

SPECIFICATIONS

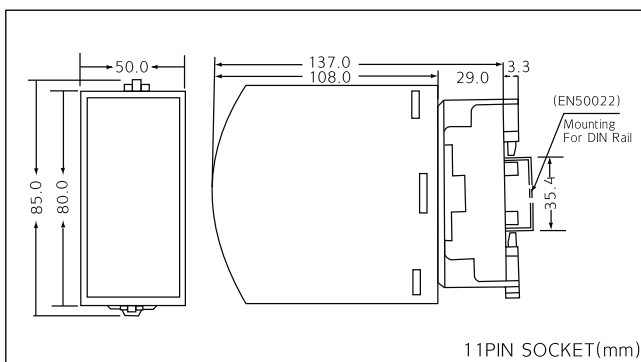
ITEMS	DESCRIPTIONS		
INPUT	Thermocouple (K, J, T, R)		
OUTPUT	Relay contact		
OUTPUT RATING	AC120V 1A, AC240V 0.5A, DC30V 1A		
SETPOINT ACCURACY	±0.5% / F.S		
SETTING	Digital switch		
SETTING RANGE	0 ~ 99% with every 1% step		
HYSTERESIS	0.25 ~ 1.5%		
TEMP. COEFFICIENT	±0.02% / °C		
INSULATION RESISTANCE	Greater than 100MΩ at DC 500V		
DIELECTRIC - STRENGTH	Power - Input, Output	AC 1,000V	1 Minute
	Input-Output	AC 1,000V	
POWER SUPPLY	AC 85 ~ 264V, 50~60Hz 7VA		
AMBIENT - TEMP	-5 ~ +55°C (23 ~ 131 °F)		
HUMIDITY	Less than 90% RH (no condensation)		
CASE MATERIAL	ABS		
COLOR	Black		
WEIGHT	About 200g		
DIMENSION	W50 X H80 X D137mm		
MOUNTING	DIN RAIL		

STANDARD INPUT RANGE

(UNIT : °C)

INPUT	RANGE
K	-50~+100, 0~300, 0~400, 0~500, 0~600 0~800, 0~1000, 0~1200
J	0~200, 0~300, 0~400, 0~800
T	-20~80, 0~100, 0~200
R	600~1600

DIMENSION



ORDERING CODE

MODEL : DATC -

INPUT SIGNAL

1. K(CA)
2. J(IC)
3. T(CC)
4. R
5. Others

OUTPUT

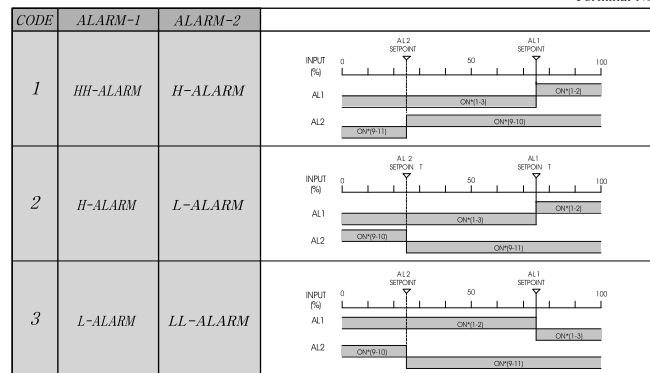
1. HH - H
2. H - L
3. L - LL

POWER SUPPLY

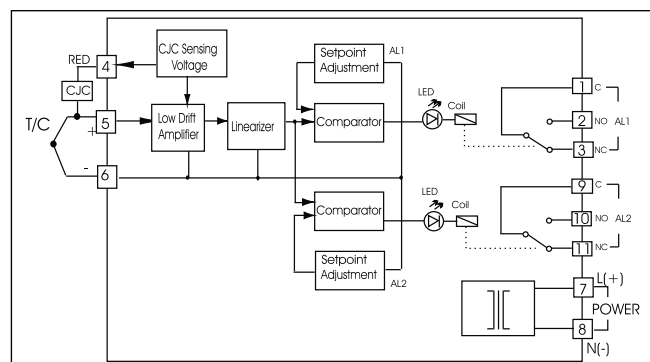
1. AC 85V~264V

OUTPUT

*Terminal No



BLOCK DIAGRAM



General Specifications

2 OUTPUT POTENTIOMETER ALARM SETTER

2 出力 可變抵抗 入力 警報器



This is a high and accurate converter that receives resistance signal of 3 lines potentiometer (100Ω ~ 100KΩ) as an input, and then generates an alarm at two point occurred by a point of contact output by an establishment of maximum and minimum values. It is used for effective interlock according to a process condition. It gets rid of inconvenience according to power change because power adopts free voltage

SPECIFICATIONS

ITEMS	DESCRIPTIONS		
INPUT	Potentiometer (100Ω ~ 100KΩ)		
OUTPUT	Relay contact		
OUTPUT RATING	AC120V 1A, AC240V 0.5A, DC30V 1A		
SETPOINT ACCURACY	±0.5% / F.S		
SETTING	Digital switch		
SETTING RANGE	0 ~ 99% with every 1% step		
HYSTERESIS	0.25 ~ 1.3%		
TEMP. COEFFICIENT	±0.02% / °C		
INSULATION RESISTANCE	Greater than 100MΩ at DC 500V		
DIELECTRIC - STRENGTH	Power - Input, Output	AC 1,000V	1 Minute
	Input-Output	AC 1,000V	
POWER SUPPLY	AC 85 ~ 264V, 50~60Hz 7VA		
AMBIENT - TEMP	-5 ~ +55°C (23 ~ 131 °F)		
HUMIDITY	Less than 90% RH (no condensation)		
CASE MATERIAL	ABS		
COLOR	Black		
WEIGHT	About 200g		
DIMENSION	W50 X H80 X D137mm		
MOUNTING	DIN RAIL		

ORDERING CODE

MODEL : DAPC -

INPUT SIGNAL

POTENTIOMETER(Total resistance 100Ω ~ 100KΩ)

OUTPUT

1. HH - H
2. H - L
3. L - LL

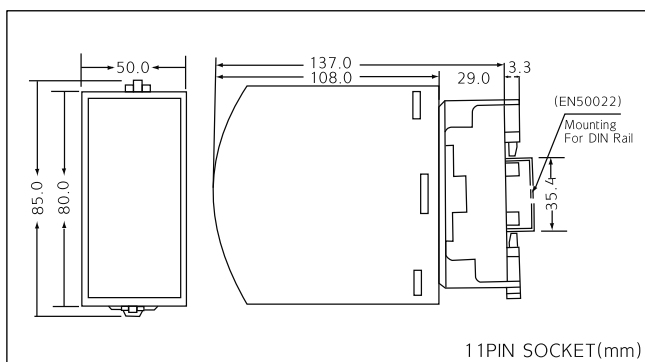
POWER SUPPLY

1. AC 85V~264V

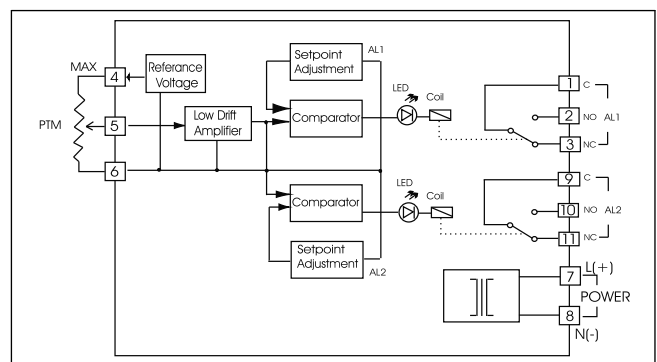
OUTPUT

CODE	ALARM-1	ALARM-2	*Terminal No
1	HH-ALARM	H-ALARM	
2	H-ALARM	L-ALARM	
3	L-ALARM	LL-ALARM	

DIMENSION



BLOCK DIAGRAM



General Specifications

2 OUTPUT DC SIGNAL ALARM SETTER

2 出力 直流信號 入力 警報器



This is a high and accurate converter that receives DC voltage and current transmitted from a field instrument or a regulator as an input, and then generates an alarm at two points occurred by a point of contract output by an establishment of maximum and minimum values.

It is used for effective interlock according to a process condition. It gets rid of inconvenience according to power change because power adopts free voltage

SPECIFICATIONS

ITEMS	DESCRIPTIONS		
INPUT	DC Voltage or DC Current signal		
OUTPUT	Relay contact		
OUTPUT RATING	AC120V 1A, AC240V 0.5A, DC30V 1A		
SETPOINT ACCURACY	$\pm 0.5\%$ / F.S		
SETTING	Digital switch		
SETTING RANGE	0 ~ 99% with every 1% step		
HYSTERESIS	0.25 ~ 1.3%		
TEMP. COEFFICIENT	$\pm 0.02\%$ / °C		
INSULATION RESISTANCE	Greater than 100M Ω at DC 500V		
DIELECTRIC - STRENGTH	Power - Input, Output	AC 1,000V	1 Minute
	Input-Output	AC 1,000V	
POWER SUPPLY	AC 85 ~ 264V, 50~60Hz 7VA		
AMBIENT - TEMP	-5 ~ +55°C (23 ~ 131 °F)		
HUMIDITY	Less than 90% RH (no condensation)		
CASE MATERIAL	ABS		
COLOR	Black		
WEIGHT	About 200g		
DIMENSION	W50 X H80 X D137mm		
MOUNTING	DIN RAIL		

ORDERING CODE

MODEL : DADS -

INPUT SIGNAL

- | | |
|------------------|------------------|
| 1. 0~1mA DC | A. 0~10mV DC |
| 2. 0~10mA DC | B. 0~100mV DC |
| 3. 0~16mA DC | C. 0~1V DC |
| 4. 0~20mA DC | D. 0~5V DC |
| 5. 1~5mAV DC | E. 0~10V DC |
| 6. 2~10mA DC | F. 1~5V DC |
| 7. 4~20mA DC | Z. Other Voltage |
| 0. Other Current | |

OUTPUT

- HH - H
- H - L
- L - LL

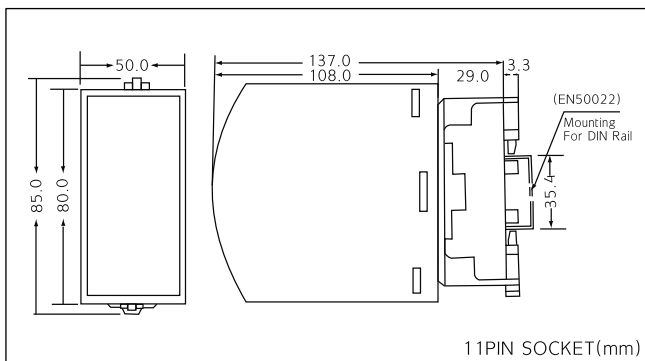
POWER SUPPLY

- AC 85V~264V

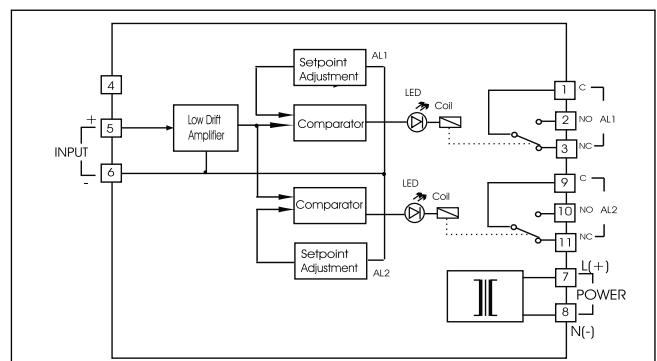
OUTPUT

CODE	ALARM-1	ALARM-2	
1	HH-ALARM	H-ALARM	
2	H-ALARM	L-ALARM	
3	L-ALARM	LL-ALARM	

DIMENSION



BLOCK DIAGRAM



General Specifications

2 OUTPUT TACHOGENERATOR ALARM SETTER

2 出力 回轉數 入力 警報器



This is a high and accurate converter that has Tachogenerator signal as an input, and then generates an alarm at two point occurred by a point of contact output by an establishment of maximum and minimum values.

It is used for effective interlock according to a process condition. It gets rid of inconvenience according to power change because power adopts free voltage

SPECIFICATIONS

ITEMS	DESCRIPTIONS		
INPUT IMPEDANCE	100KΩ or More		
OUTPUT	Relay contact		
OUTPUT RATING	AC120V 1A, AC240V 0.5A, DC30V 1A		
SETPOINT ACCURACY	±0.5% / F.S		
SETTING	Digital switch		
SETTING RANGE	0 ~ 99% with every 1% step		
HYSTERESIS	0.25 ~ 1.5%		
TEMP. COEFFICIENT	±0.02% / °C		
INSULATION RESISTANCE	Greater than 100MΩ at DC 500V		
DIELECTRIC - STRENGTH	Power - Input, Output	AC 1,000V	1 Minute
	Input-Output	AC 1,000V	
POWER SUPPLY	AC 85 ~ 264V, 50~60Hz 7VA		
AMBIENT - TEMP	-5 ~ +55°C (23 ~ 131 °F)		
HUMIDITY	Less than 90% RH (no condensation)		
CASE MATERIAL	ABS		
COLOR	Black		
WEIGHT	About 200g		
DIMENSION	W50 X H80 X D137mm		
MOUNTING	DIN RAIL		

ORDERING CODE

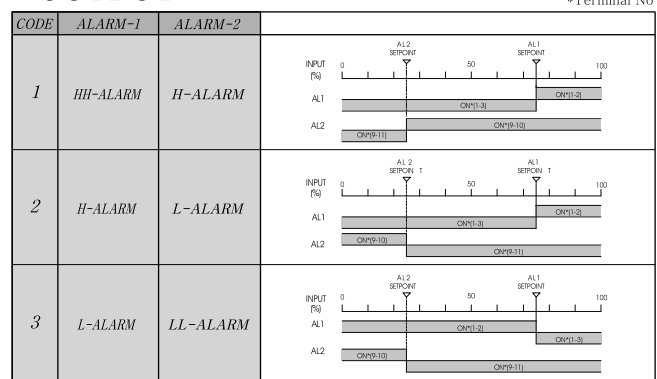
MODEL : DATG -

- INPUT SIGNAL
 1. AC 0 ~ 35V (100Hz ~ 1KHz)
 2. Specify Range (AC 20 ~ 150V)

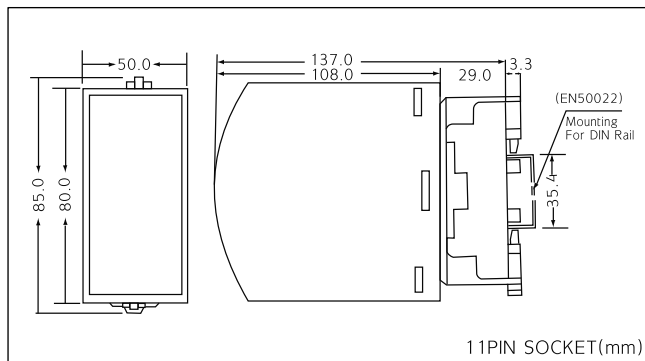
- OUTPUT
 1. HH - H
 2. H - L
 3. L - LL

- POWER SUPPLY
 1. AC 85V~264V

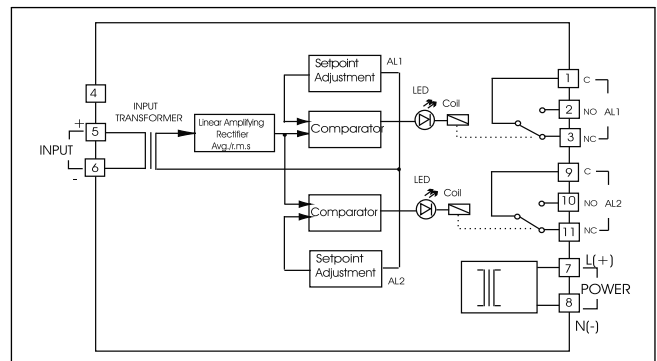
OUTPUT



DIMENSION



BLOCK DIAGRAM



General Specifications

2 OUTPUT AC VOLTAGE ALARM SETTER

2 出力 交流電壓 入力 警報器



This is a high and accurate converter that has alternative voltage as an input, and then generates an alarm at two point occurred by a point of contact output by an establishment of maximum and minimum values.

It is used for effective interlock according to a process condition. It gets rid of inconvenience according to power change because power adopts free voltage

SPECIFICATIONS

ITEMS	DESCRIPTIONS		
INPUT LOSS	Less than 0,5VA		
OUTPUT	Relay contact		
OUTPUT RATING	AC120V 1A, AC240V 0,5A, DC30V 1A		
SETPOINT ACCURACY	±0,5% / F.S		
SETTING	Digital switch		
SETTING RANGE	0 ~ 99% with every 1% step		
HYSTERESIS	0,25 ~ 1,5%		
TEMP. COEFFICIENT	±0,02% / °C		
INSULATION RESISTANCE	Greater than 100MΩ at DC 500V		
DIELECTRIC - STRENGTH	Power - Input, Output	AC 1,000V	1 Minute
	Input-Output	AC 1,000V	
POWER SUPPLY	AC 85 ~ 264V, 50~60Hz 7VA		
AMBIENT - TEMP	-5 ~ +55°C (23 ~ 131 °F)		
HUMIDITY	Less than 90% RH (no condenstation)		
CASE MATERIAL	ABS		
COLOR	Black		
WEIGHT	About 200g		
DIMENSION	W50 X H80 X D137mm		
MOUNTING	DIN RAIL		

ORDERING CODE

MODEL : DAPT -

• INPUT SIGNAL

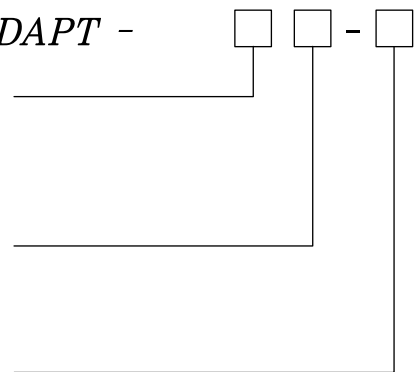
- 0 ~ 110V AC
- 0 ~ 220V AC
- 0 ~ 300V AC
- Other Voltages

• OUTPUT

- HH - H
- H - L
- L - LL

• POWER SUPPLY

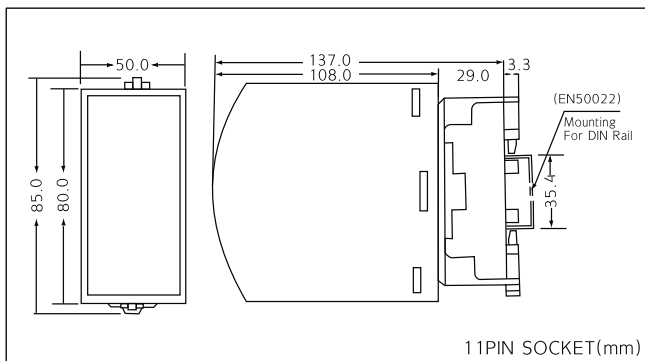
- AC 85V~264V



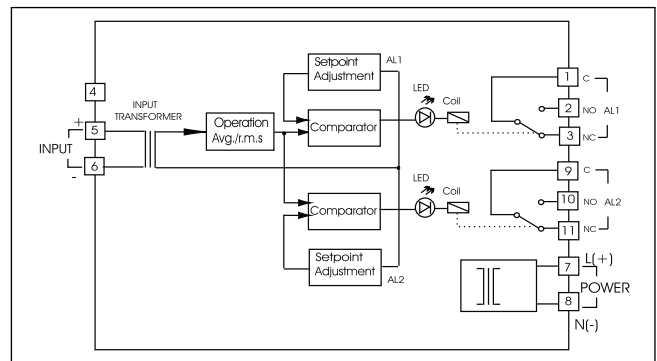
■ OUTPUT

CODE	ALARM-1	ALARM-2	*Terminal No
1	HH-ALARM	H-ALARM	
2	H-ALARM	L-ALARM	
3	L-ALARM	LL-ALARM	

DIMENSION



BLOCK DIAGRAM



General Specifications

2 OUTPUT AC CURRENT ALARM SETTER

2 出力 交流電流 入力 警報器



This is a high and accurate converter that has alternative current as an input, and then generates an alarm at two point occurred by a point of contact output by an establishment of maximum and minimum values.

It is used for effective interlock according to a process condition. It gets rid of inconvenience according to power change because power adopts free voltage

SPECIFICATIONS

ITEMS	DESCRIPTIONS		
INPUT LOSS	Less than 0,5VA		
OUTPUT	Relay contact		
OUTPUT RATING	AC120V 1A, AC240V 0,5A, DC30V 1A		
SETPPOINT ACCURACY	±0,5% / F.S		
SETTING	Digital switch		
SETTING RANGE	0 ~ 99% with every 1% step		
HYSTERESIS	0,25 ~ 1,5%		
TEMP. COEFFICIENT	±0,02% / °C		
INSULATION RESISTANCE	Greater than 100MΩ at DC 500V		
DIELECTRIC - STRENGTH	Power - Input, Output	AC 1,000V	1 Minute
	Input-Output	AC 1,000V	
POWER SUPPLY	AC 85 ~ 264V, 50~60Hz 7VA		
AMBIENT - TEMP	-5 ~ +55°C (23 ~ 131 °F)		
HUMIDITY	Less than 90% RH (no condenstation)		
CASE MATERIAL	ABS		
COLOR	Black		
WEIGHT	About 200g		
DIMENSION	W50 X H80 X D137mm		
MOUNTING	DIN RAIL		

ORDERING CODE

MODEL : DACT -

• INPUT SIGNAL

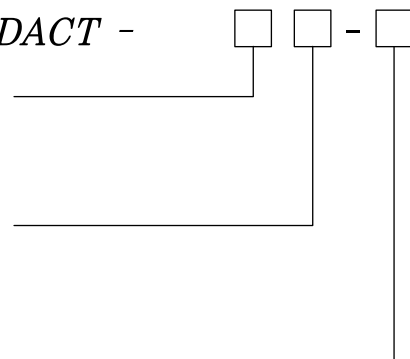
- 0 ~ 1A AC
- 0 ~ 5A AC
- Other Current

• OUTPUT

- HH - H
- H - L
- L - LL

• POWER SUPPLY

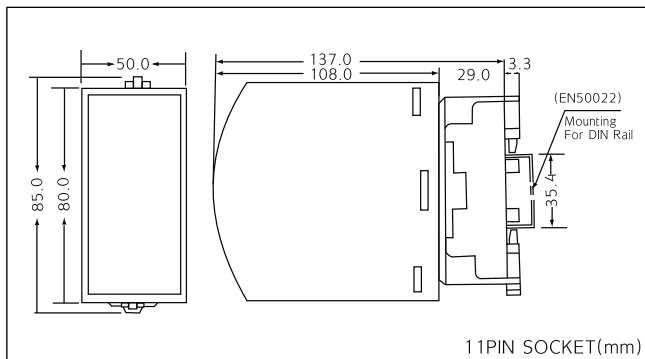
- AC 85V~264V



■ OUTPUT

CODE	ALARM-1	ALARM-2	*Terminal No
1	HH-ALARM	H-ALARM	
2	H-ALARM	L-ALARM	
3	L-ALARM	LL-ALARM	

DIMENSION



BLOCK DIAGRAM

